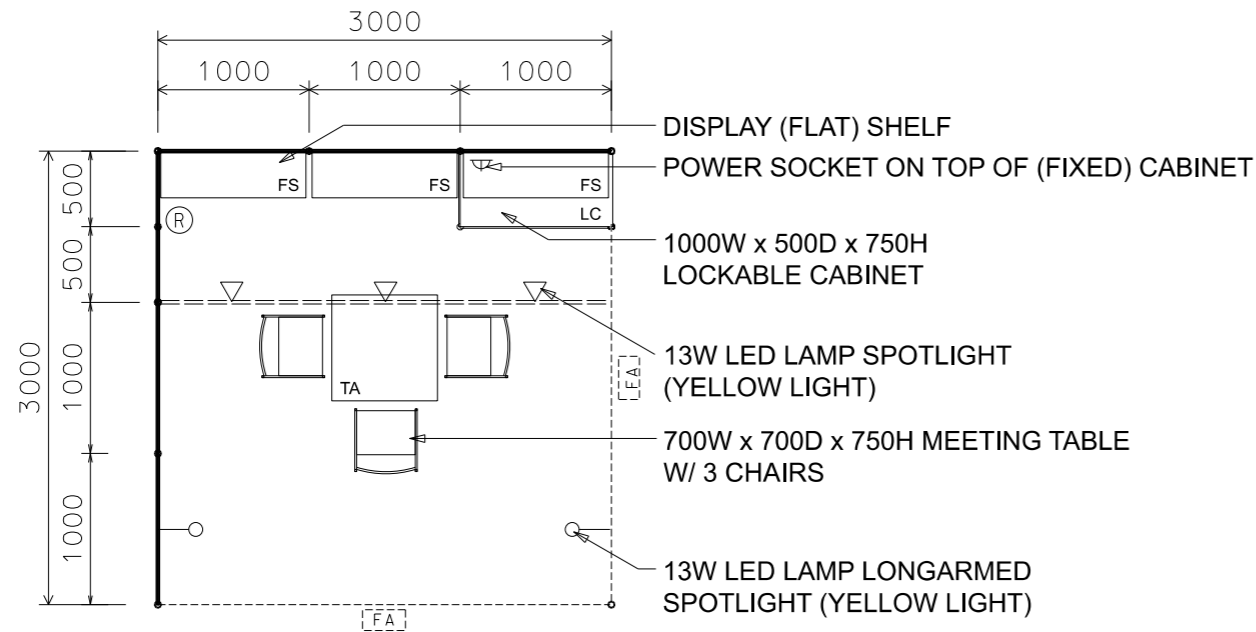
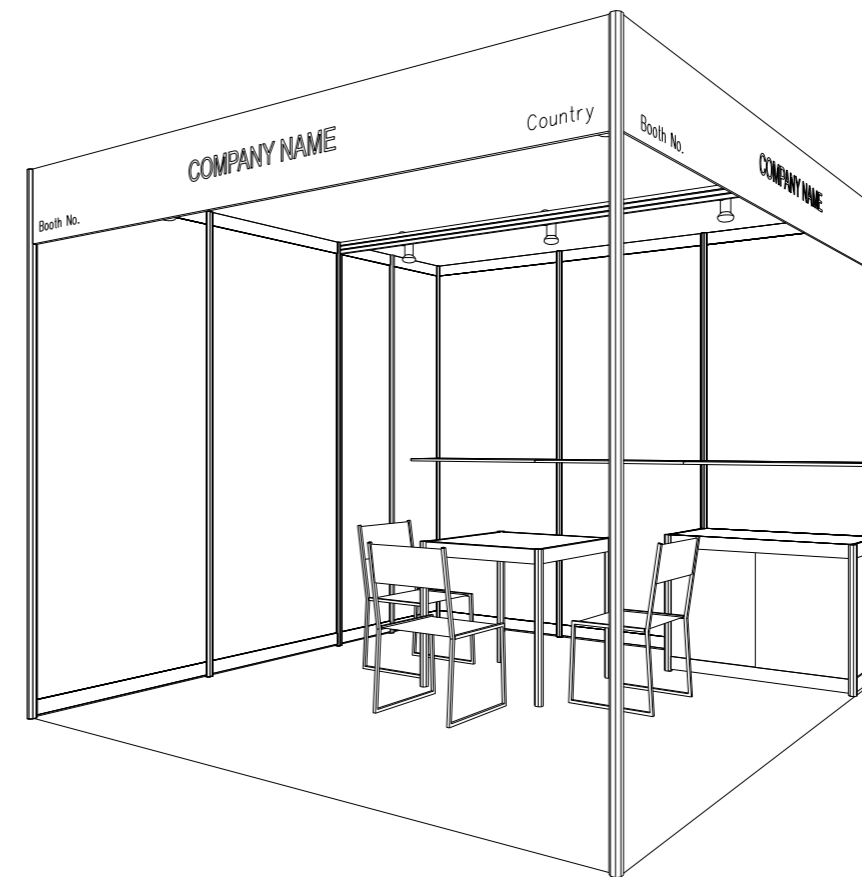


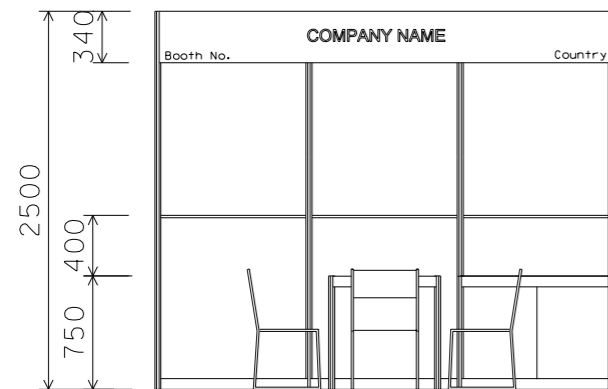
3M x 3M STANDARD BOOTH - RIGHT CORNER



LAYOUT PLAN



PERSPECTIVE



FRONT ELEVATION

BOOTH SPECIFICATION		QTY
[LC]	Lockable cabinet (1000W x 500D x 750H) 儲物櫃	1
[FS]	Wooden shelf (flat) (1000W x 300D) 陳列架	3
[TA]	Square meeting table (700W x 700D x 750H) 桌子	1
[CHAIR]	Black leather chair 椅子	3
▽	13 watt LED lamp spotlight (Yellow Light) 13瓦特LED燈膽短臂射燈 (黃光)	3
⊙	13 watt LED lamp longarmed spotlight (Yellow Light) 13瓦特LED燈膽長臂射燈 (黃光)	2
-----	H70mm CEILING BEAM 天花橫樑	3M
⊔	500w Square pin power socket 插座	1
[R]	Rubbish Bin 垃圾桶	1
[FA]	Company Fascia 公司招牌板	2
	Carpet (9sqm) 地毯	1

FILE PATH - I:\a-Booth drawing\1027 ECO Expo\CR_internal use\Booth.dgn



NOTES UNLESS OTHERWISE SPECIFIED ALL DIMENSIONS ARE IN MM.

.....

REVISION

DATE:	.
SCALE:	1 : 50 (A3)
DRAWN BY:
CHECKED BY:

TITLE
 3x3 STANDARD BOOTH
 (RIGHT CORNER)

PROJECT
 ECO EXPO ASIA
 DATE: .

SHEET
B02C