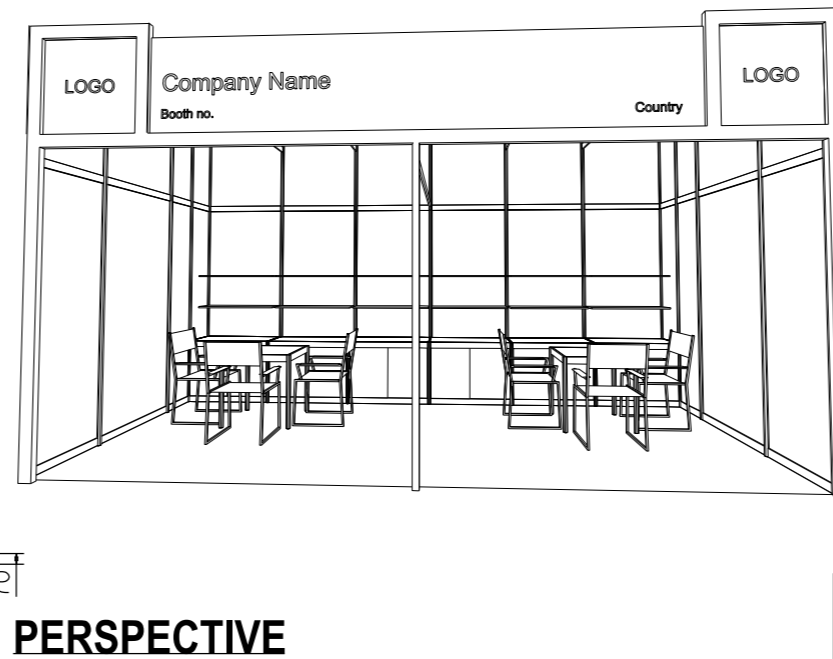
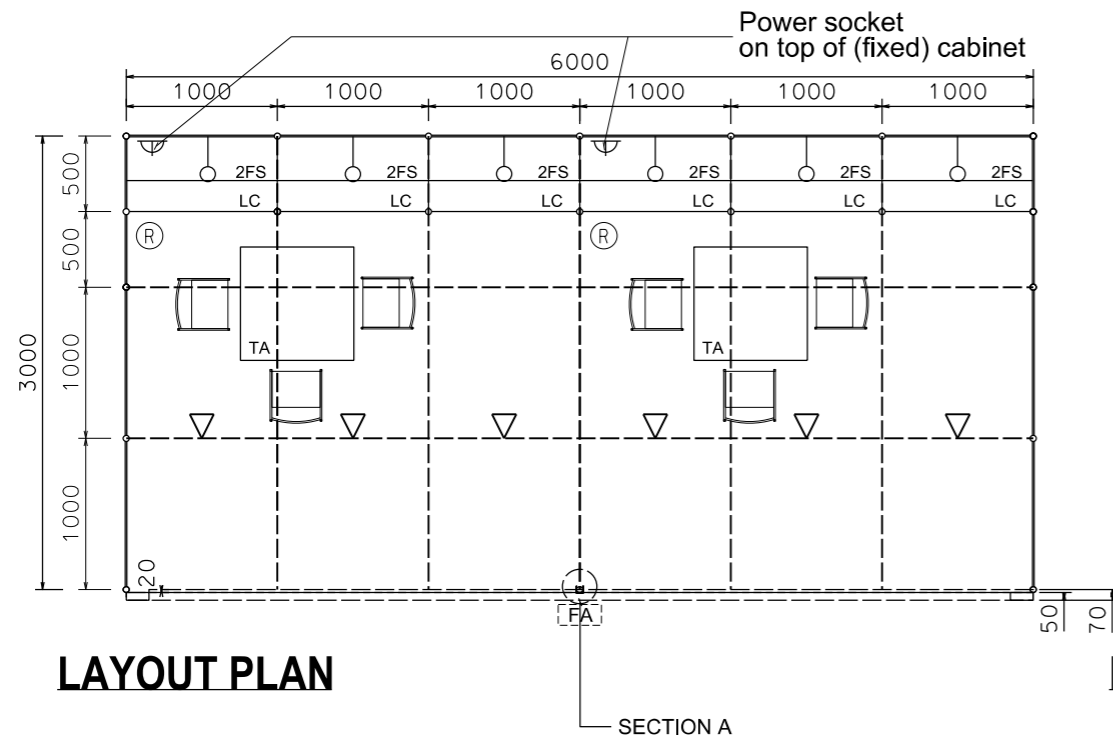


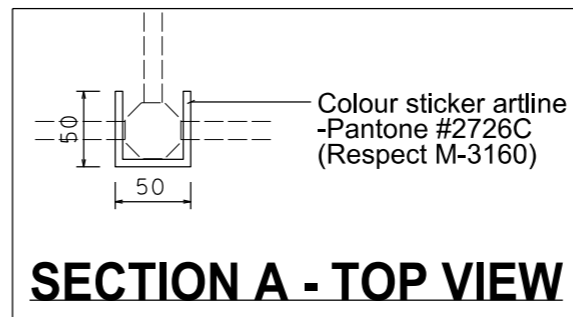
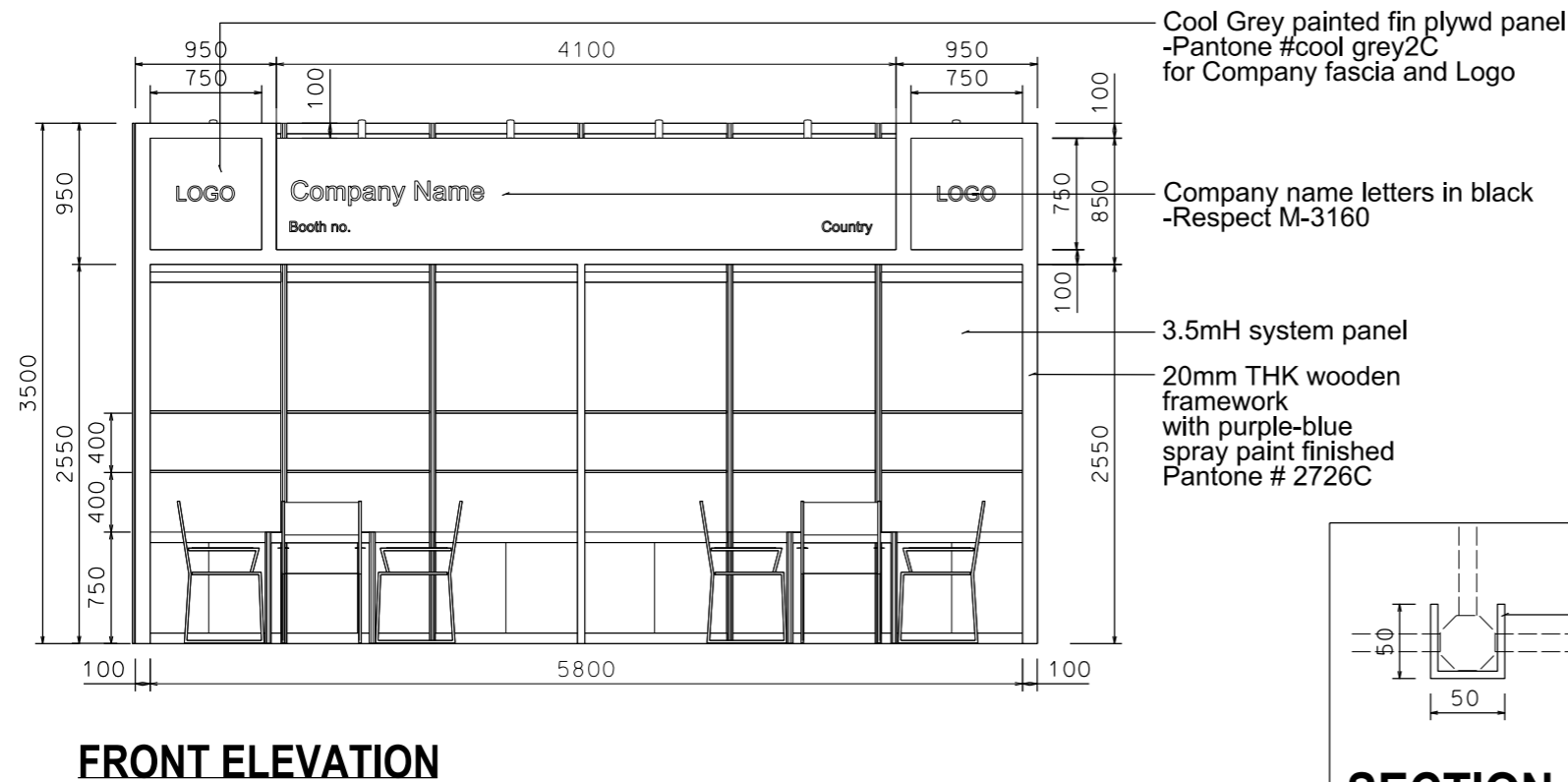
6M x 3M Premium Booth



COLOUR PERSPECTIVE (FOR REFERENCE ONLY)



BOOTH SPECIFICATION			QTY
1	LC	Fixed Lockable cabinet (1000W x 500D x750H) 固定儲物櫃	6
2	FS	Wooden shelf (flat) (1000W x 300D) 陳列架	12
3	TA	Square meeting table (700W x 700D x 750H) 桌子	2
4		Black leather chair 椅子	6
5	▽	13 watt LED lamp spotlight (Yellow Light) set at 3.5mH 13瓦特LED燈膽短臂射燈 (黃光)	6
6	○	13 watt LED lamp longarmed spotlight (Yellow Light) set at 3.5mH 13瓦特LED燈膽長臂射燈 (黃光)	6
7	- - - -	Ceiling grid (175mmH) set at 3.4mH 天花橫樑	27m
8	∩	500w Square pin power socket 插座	2
9	Ⓡ	Rubbish Bin 垃圾桶	2
10	[FA]	Company Fascia 公司招牌板	1
11		Carpet (18sqm) 地毯	1



FILE PATH - I:\2021p\1028_Eco_Expo_Asia_21\dgn\Booth\Premium_A_Booth.dgn



NOTES UNLESS OTHERWISE SPECIFIED ALL DIMENSIONS ARE IN MM.

.....

REVISION

DATE: .
 SCALE: 1 : 50 (A3)
 DRAWN BY: ..
 CHECKED BY:

TITLE
 6M x 3M Premium Booth
 (LT-A-18)

PROJECT
 ECO EXPO ASIA
 DATE: .

SHEET
 LT-A02