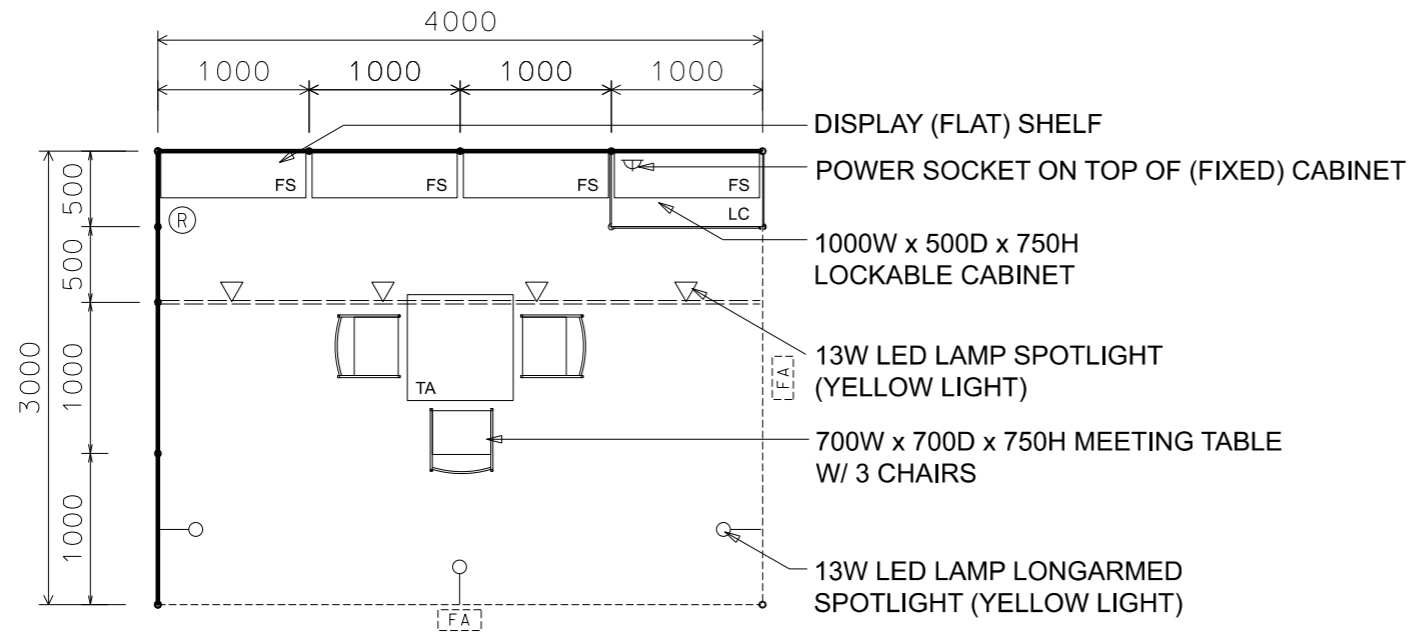
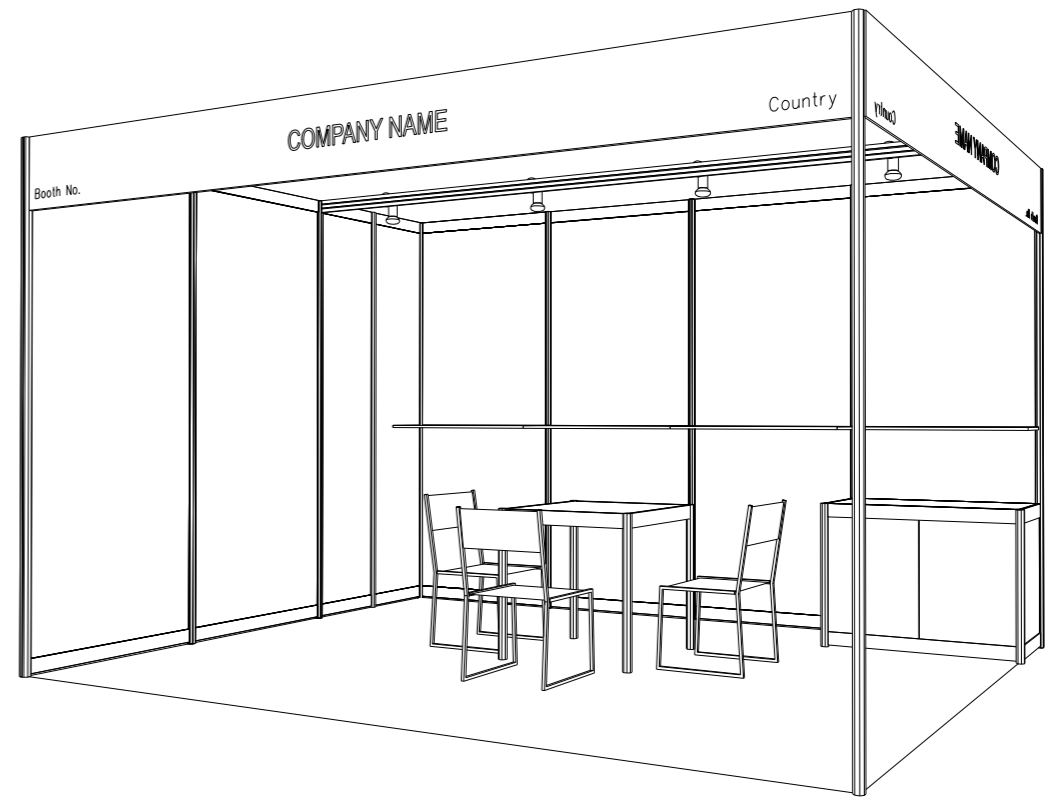


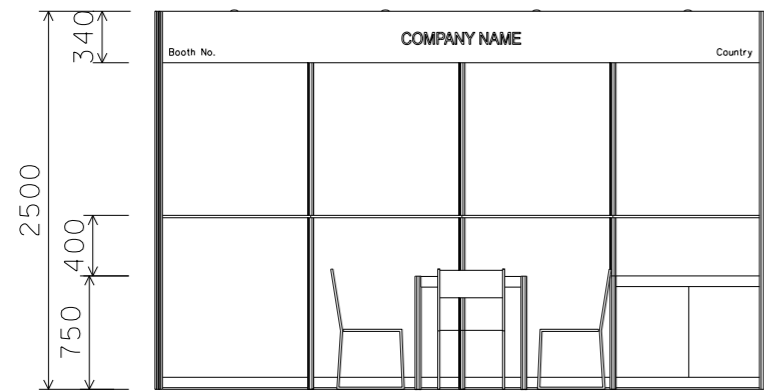
4M x 3M STANDARD BOOTH - RIGHT CORNER



LAYOUT PLAN



PERSPECTIVE



FRONT ELEVATION

BOOTH SPECIFICATION		QTY
LC	Lockable cabinet (1000W x 500D x 750H) 儲物櫃	1
FS	Wooden shelf (flat) (1000W x 300D) 陳列架	4
TA	Square meeting table (700W x 700D x 750H) 桌子	1
	Black leather chair 椅子	3
▽	13 watt LED lamp spotlight (Yellow Light) 13瓦特LED燈膽短臂射燈 (黃光)	4
⦿	13 watt LED lamp longarmed spotlight (Yellow Light) 13瓦特LED燈膽長臂射燈 (黃光)	3
-----	H70mm CEILING BEAM 天花橫樑	4M
⊃	500w Square pin power socket 插座	1
Ⓡ	Rubbish Bin 垃圾桶	1
[FA]	Company Fascia 公司招牌板	2
	Carpet (12sqm) 地毯	1

FILE PATH - I:\a-Booth drawing\1027 ECO Expo\CR_internal use\Booth.dgn

	NOTES UNLESS OTHERWISE SPECIFIED ALL DIMENSIONS ARE IN MM.	REVISION	DATE: .	TITLE 4x3 STANDARD BOOTH (RIGHT CORNER)	PROJECT ECO EXPO ASIA DATE: .	SHEET B03C
			SCALE: 1 : 50 (A3)			
			DRAWN BY:			
			CHECKED BY:			